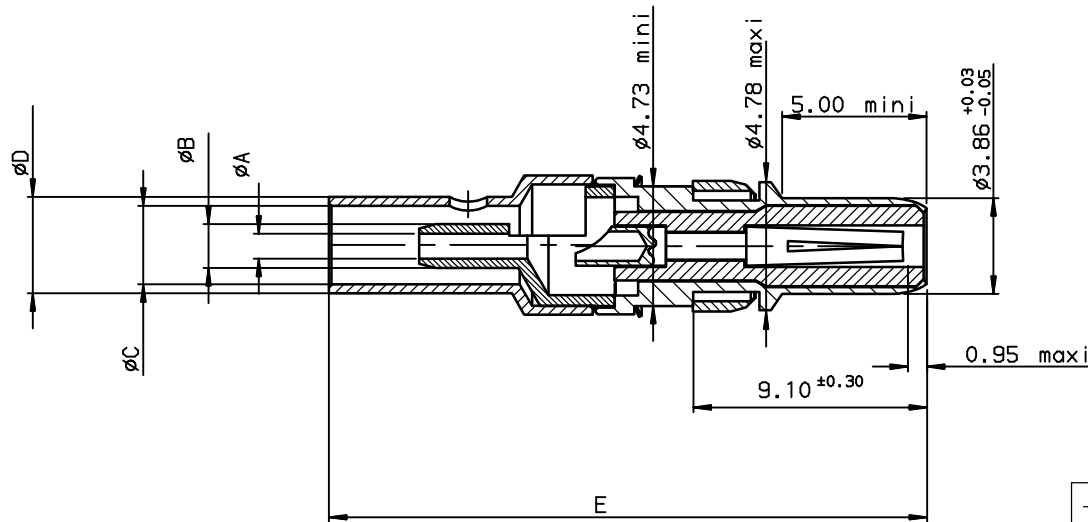
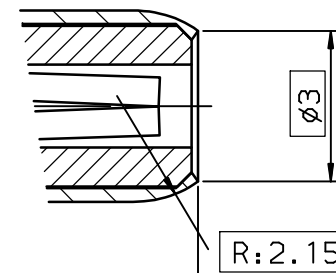


| | | | | | | | |
|---------------|---------------------------|---|---|---|---|-------|-----------|
| DM537405000NC | COAXIAL CONTACTS STRAIGHT | 1.00 | 1.75 | 2.32 | 3.20 | 22.40 | RG 178 BU |
| DM537405008NC | COAXIAL CONTACTS STRAIGHT | 1.00 | 1.75 | 2.32 | 3.20 | 23.60 | RG 178 BU |
| DM537405002NC | COAXIAL CONTACTS STRAIGHT | 2.75 | 4.00 | 5.09 | 5.95 | 26.30 | RG 180 BU |
| Ref contact | Designation | $\phi A \begin{smallmatrix} +0.10 \\ 0 \end{smallmatrix}$ | $\phi B \begin{smallmatrix} +0. \\ -0.10 \end{smallmatrix}$ | $\phi C \begin{smallmatrix} +0.10 \\ 0 \end{smallmatrix}$ | $\phi D \begin{smallmatrix} \pm 0.10 \end{smallmatrix}$ | E | Ref cable |



DETAIL ACTIVE AREA



NOTE: RoHS INFORMATIONS

- These products meet European union Directives and other country regulations as described in GS-22-008. (RoHS Compliant products)
- Packaging spec: see GS-14-920

Part number **SEE TABLE**

ELECTRICAL CHARACTERISTICS

dielectric with standing voltage 2800V eff.
break down voltage 3200V eff.
insulation resistance 10^6 M OHMS
contact resistance ≤ 5 m OHMS

MECHANICAL CHARACTERISTICS

mating force per set of contact 3 N
mating endurance 200
temperature -55° to $+125^\circ$ C

TOOLING

coaxial contact extraction tool 8630-07A

| | | | | | |
|---------------------------------------|--------|---|-----------------------------------|---------------------------------|------------------|
| www.fciconnect.com | | surface ISO 1302 <input checked="" type="checkbox"/> | tolerance std ISO 406 ISO 1101 | projection | mm |
| TOLERANCES UNLESS OTHERWISE SPECIFIED | | | | | |
| Dr | PESSON | 1996/07/01 | ANGULAR | 0.x ± 0.1 | size A3 |
| Eng | PESSON | 1996/07/01 | LINEAR | 0.xx ± 0.1 | Scale 5 |
| Chr | LEGARE | 1996/07/01 | 0.xx' $\pm 2'$ | 0.xxx ± 0.1 | ECN LS06-0095 |
| Appr | LEGARE | 1996/07/01 | Product family | D-SUB | Spec ref - |
| | | title MALE COAX CONTACT STRAIGHT | | part no C01-8639-0627 | Rev. D |
| | | catalog no | | CUSTOMER sheet 1 of 1 | |

| rev | ecn no | dr | date |
|-----|-----------|-----|------------|
| B | - | JAR | 2000/02/02 |
| C | LS05-0026 | MPE | 2005/07/08 |
| D | LS06-0095 | LGO | 2006/07/19 |
| - | - | - | - |
| - | - | - | - |
| - | - | - | - |



Copyright FCI.